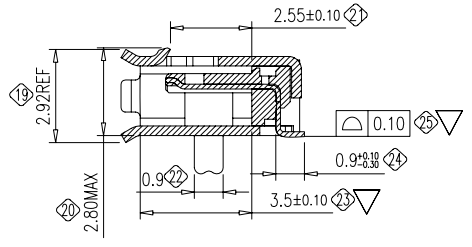
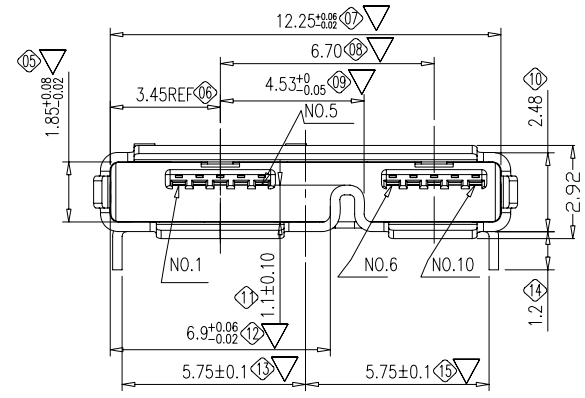
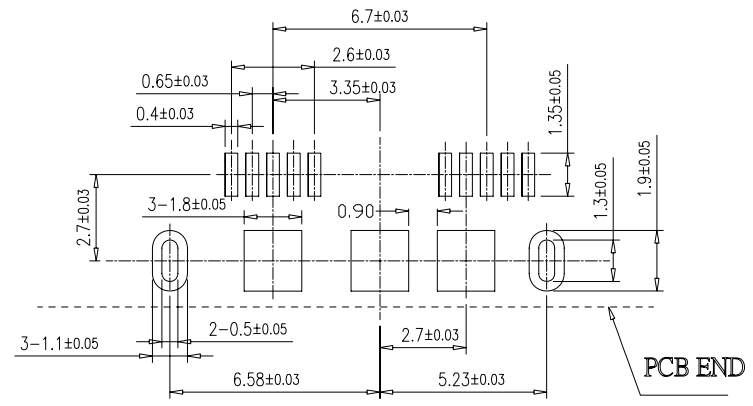
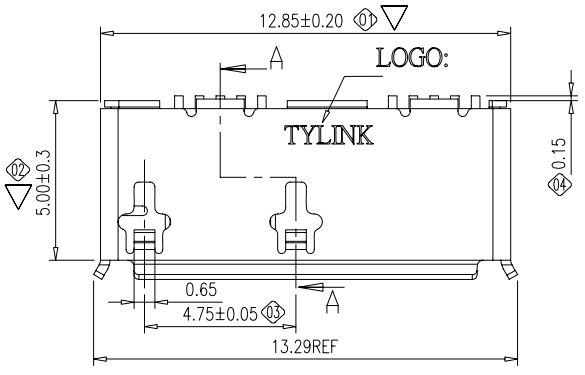


RoHS Compliant

ECN NO	REV	DESCRIPTION	DATE	REVISER	APPD
--------	-----	-------------	------	---------	------

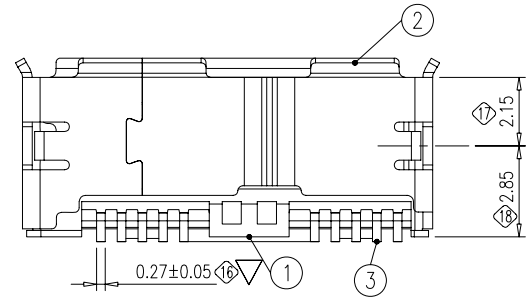
Pin Number	Signal Name
1	VBUS
2	D-
3	D+
4	ID
5	GND
6	MicB_SSTX-
7	MicB_SSTX+
8	GND_DRAIN
9	MicB_SSRX-
10	MicB_SSRX+
Shell	Shield



- NOTES: (M)
- INSULATOR: LCP . COLOR-BLACK
 - USB CONTACT: BRASS.0.15mm THICKNESS, GOLD. PLATED ON CONTACT AREA, GOLD FLASH PLATED ON SOLDER TAIL, 80 U" MIN. NICKEL UNDERPLATED OVERALL.
 - SHELL: STAINLESS STEEL ,0.3THICKNESS, 40U" MIN NICKEL OVERALL .

-XXX

Contact Finish :
 00: Material 10: 10u"Gold
 01: G/F 15: 15u"Gold
 05 : 5u"Gold 30: 30u"Gold



TOLERANCE	UNSPECIFIED
0 PLC	± 0.20
1 PLC	± 0.15
2 PLC	± 0.10
3 PLC	± 0.05

BossConn

SCALE: NON UNIT: mm

ITEM	DESCRIPTION	Q'TY	MATERIAL	P/N NO.
03	CONTACT	10	BRASS	*****
02	SHELL	1	SPCC	*****
01	HOUSING	1	LCP	*****

DRAWN: Andy 10/8/02
DESIGNER:
CHECKED:
APPROVED:

NAME	SHEET
USB 3.0 MICRO AB TYEP, SMT (DIP FOR SHELL)	1/1
DRAWING NO. USB3-MICABF-CD02	REV A